

Automatic transfer switch EGSX series



Eaton's EGSX series residential automatic transfer switch product line provides a safe and efficient means of transferring power from utility to generator source. Its simplified relay-interface system replaces complicated electronics, while increasing system reliability and creating an intuitive design for faster installation and troubleshooting.

General specifications and features

- Simple design for quick installation and troubleshooting
- Two contact sets for load shedding
- Short-circuit ratings:
 - 50 A: 5 kA (service entrance)
 - 100 A and 200 A: 25 kA (service entrance)
 - 400 A: 35 kA (service entrance)
 - All non-service entrance models: 10 kA
- Rated for 100% load for both inductive and resistive loads, and 80% for all service entrance rated switches
- Molded-case breaker provided with 25 kAIC (100 A to 200 A), 35 kAIC (400 A only)
- Available service entrance designs and ratings up to 400 A
- Silver alloy main contacts; resistant to welding and sticking
- Terminal block termination; connections labeled to match generator connections
- Compatible with Eaton standby generators brand only
- NEC® / UL® 1008 compliant; meets industry standard

Environmental specifications

- Operating ambient temperature range: between $-20\text{ }^{\circ}\text{C}$ and $+70\text{ }^{\circ}\text{C}$ ($-4\text{ }^{\circ}\text{F}$ and $+158\text{ }^{\circ}\text{F}$)
- Storage temperature: $-20\text{ }^{\circ}\text{C}$ to $+70\text{ }^{\circ}\text{C}$ ($-4\text{ }^{\circ}\text{F}$ to $+158\text{ }^{\circ}\text{F}$)
- Humidity levels:
 - Normal outdoor operation: $\leq 95\%$ (noncondensing)
 - Storage: $\leq 80\%$ of relative humidity

EATON

Powering Business Worldwide

Table 1. Catalog Number Selection

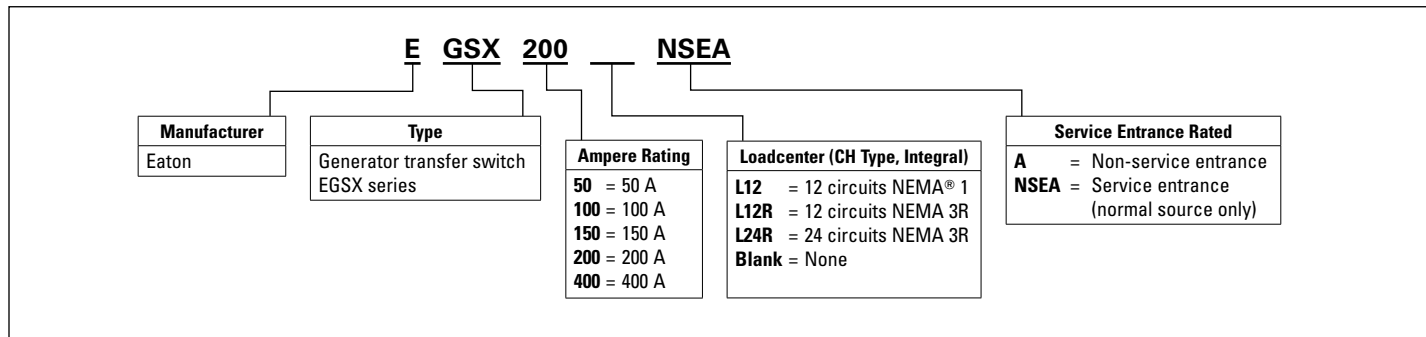


Table 2. Technical Data

Catalog Number	Ampere Rating	Voltage	Number of Poles	Service Entrance	Number of Circuits Included ①	Frequency (Hz)	Enclosure Type	Contactor Wire Size Range(s)	Number of Cables per Phase	Withstand Current (rms) at 200 Vac
EGSX50L12	50	120/240	2	Yes	12	50/60	NEMA 1	#14-6	1	5,000
EGSX50L12R	50	120/240	2	—	12	50/60	NEMA 3R	#14-6	1	5,000
EGSX100A	100	120/240	2	—	—	50/60	NEMA 3R	#14-2/0	1	10,000
EGSX100NSEA	100	120/240	2	Yes	—	50/60	NEMA 3R	#14-2/0	1	25,000
EGSX100L24RA	100	120/240	2	—	24	50/60	NEMA 3R	#14-2/0	1	10,000
EGSX150NSEA	150	120/240	2	Yes	—	50/60	NEMA 3R	#14-300 kcmil	1	25,000
EGSX200A	200	120/240	2	—	—	50/60	NEMA 3R	#14-300 kcmil	1	10,000
EGSX200NSEA	200	120/240	2	Yes	—	50/60	NEMA 3R	#14-300 kcmil	1	25,000
EGSX400NSEA	400	120/240	2	Yes	—	50/60	NEMA 3R	750 kcmil-2 and 300 kcmil-1/0	1/2	35,000

① Uses CH type circuit breakers.

Table 3. Dimensions

Catalog Number	Ampere Rating	Description	Width in Inches (mm)	Height in Inches (mm)	Depth in Inches (mm)	Weight in Lbs (kg)
EGSX50L12	50	NEMA 1 with 12-circuit CH loadcenter	14.25 (362.0)	21.00 (533.4)	4.00 (101.6)	23 (10.40)
EGSX50L12R	50	NEMA 3R with 12-circuit CH loadcenter	14.25 (362.0)	21.00 (533.4)	6.00 (152.4)	29 (13.15)
EGSX100A	100	NEMA 3R	14.46 (367.3)	16.87 (428.5)	5.32 (135.1)	25 (11.33)
EGSX100NSEA	100	NEMA 3R service entrance	14.46 (367.3)	16.87 (428.5)	5.32 (135.1)	28 (12.70)
EGSX100L24RA	100	NEMA 3R with 24-circuit CH loadcenter	14.46 (367.3)	29.33 (745.0)	5.32 (135.1)	38 (17.23)
EGSX150NSEA	150	NEMA 3R service entrance	14.46 (367.3)	29.33 (745.0)	5.32 (135.1)	45 (20.41)
EGSX200A	200	NEMA 3R	14.46 (367.3)	25.08 (637.0)	5.32 (135.1)	35 (15.88)
EGSX200NSEA	200	NEMA 3R service entrance	14.46 (367.3)	29.33 (745.0)	5.32 (135.1)	45 (20.41)
EGSX400NSEA	400	NEMA 3R service entrance	23.14 (587.8)	37.56 (954.0)	10.00 (254.0)	130 (58.97)

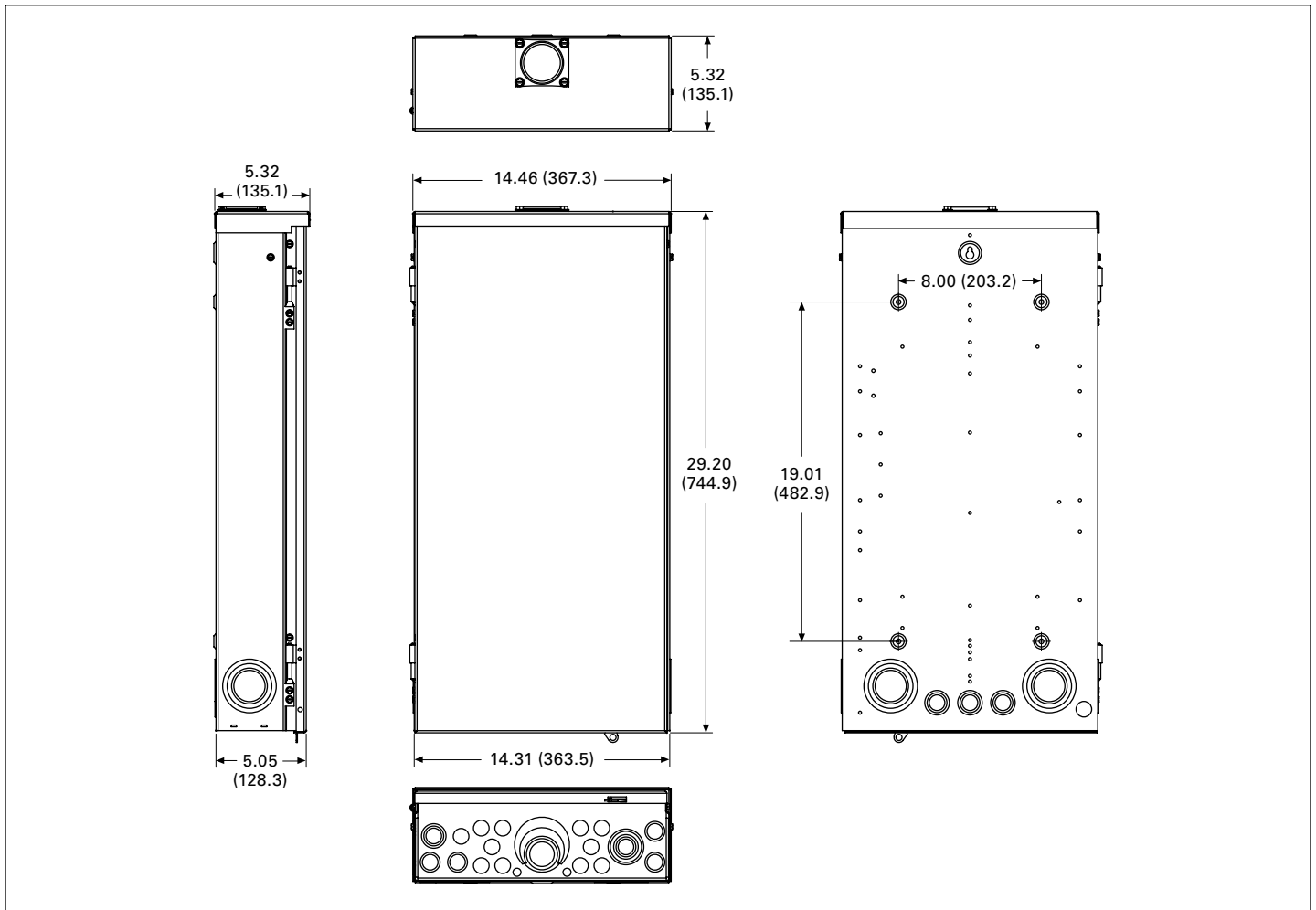


Figure 1. Dimensions in Inches (mm) and Plan View of an EGSX150NSEA/EGSX200NSEA

Table 4. Replacement Parts for EGSX ATS

Component	50 A	100 A	150 A	200 A	400 A
Contactors	99-5643-8	99-5638	99-5702-15	99-5702-15	99-5702-16
Wire harness	99-5643-7	99-5638-13	99-5702-17	99-5702-17	99-5702-18
Neutral bar	99-5643-6	99-5638-7	99-5702-6	99-5702-6	99-5702-13
Ground lugs	99-5643-4	99-5638-5	99-5702-4	99-5702-4	99-5702-4
Service entrance breaker	—	99-5638-4	BWH2150	BWH2200	KD2400
Lugs	99-5643-5	99-5638-6	99-5702-5	99-5702-5	99-5702-12

Eaton
1000 Eaton Boulevard
Cleveland, OH 44122
United States
Eaton.com

© 2014 Eaton
All Rights Reserved
Printed in USA
Publication No. TD016001EN / Z15452
July 2014



Eaton is a registered trademark.
All other trademarks are property
of their respective owners.